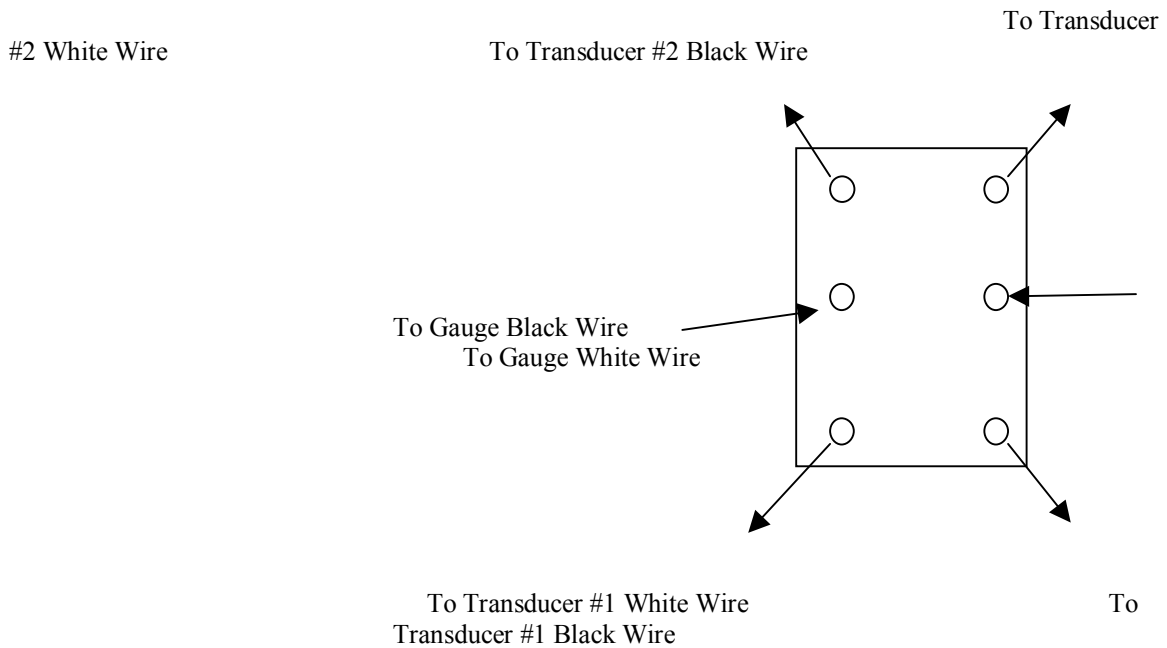


This schematic is for using two Pressure sending units with one Gauge.

Use a double pole double throw switch (two position), can be very small as power is very low.



Hook up the remaining wires:

- 1) All Brown wires from (gauge and Transducers) to switched 12V (only power when key is on)
- 2) All Blue wires from (gauge and Transducers) to a solid Ground (preferably battery)